

Keysight Technologies M9362A-D01 PXIe Microwave Quad Downconverter

Product Fact Sheet

Industries and Applications

- Aerospace and Defense
- Radar and Wideband Signal Capture
- Wireless Communications

Product Description

The Keysight Technologies, Inc. M9362A-D01, option F26, is a PXIe 3-slot, 4-channel, coherent microwave downconverter with frequency coverage from 10 MHz to 26.5 GHz, along with 1.5 GHz of instantaneous bandwidth per channel. The M9362A-D01 is well suited for wideband signal capture where multiple channels are required for applications such as multi-channel coherent signal analysis, radar, SIGNIT, ELINT, MASINT, EW signal capture and analysis, and RF and microwave recording and analysis.

When combined with a Keysight M9302A Local Oscillator and one or more Keysight M9210A 4GS/s Digitizers, the M9362A-D01 Downconverter can be used to synchronously capture up to 4 signals in up to 1.4 GHz bandwidth, with 10-bit resolution.

Models	
M9362A-D01	PXIe Microwave Quad Downconverter
M9362A-D01-F26	10 MHz to 26.5 GHz

Chassis slot compatibility:
PXIe, PXIe hybrid



Main Features and Benefits

Product features	Your benefit
Frequency range	10 MHz to 26.5 GHz
Four-channel synchronous downconversion	Multi-channel coherent signal analysis
PXIe form-factor	Conforms to Modular Open Systems Approach (MOSA)
Software support for easy integration	Reduced development time

Specifications

Hardware	
Size	3-slot
Operating Range	10 MHz to 26.5 GHz
Bandwidth	1.5 GHz per channel
Noise Figure	24 dB, <i>(nominal)</i>
Impedance	50 Ω, <i>(nominal)</i>

Software Information

Operating systems	Microsoft Windows XP Microsoft Windows 7 (32/64-bit)
Keysight IO Libraries	Includes: VISA Libraries, Keysight Connection Expert, IO Monitor
Supported Application Development Environments (ADE)	VisualStudio (C/C++, C#, VB.NET), LabVIEW, LabWindows/CVI, MATLAB, VEE

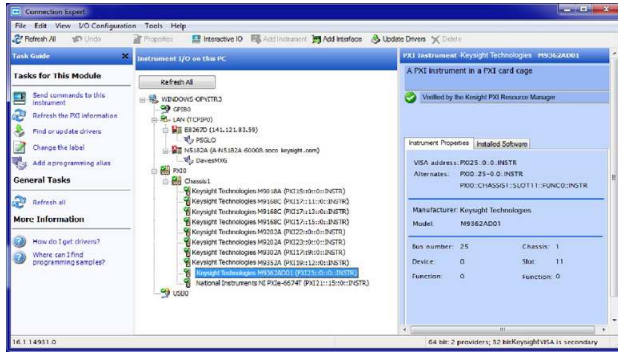


Figure 1. IO Libraries Suite: Connection Expert

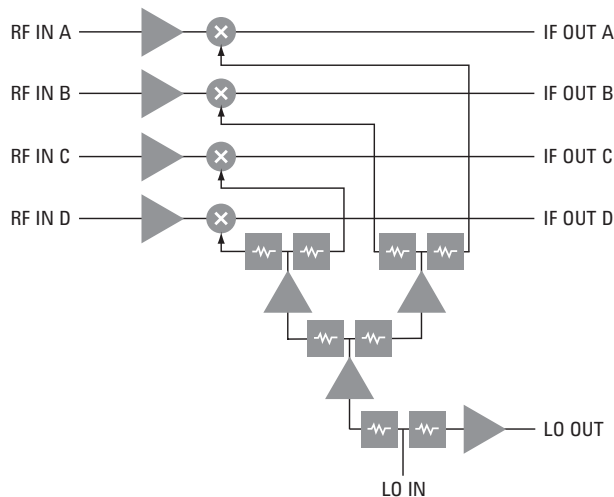


Figure 2. M9362A-D01 PXIe Quad Downconverter block diagram

Typical Product Configuration

Model	Description
M9362A-D01	PXIe Quad Downconverter:
M9362AD01-F26	10 MHz to 26.5 GHz
M9362AD01-CA1	IF Jumper Cables for use with 4-M9202A Single CH Digitizers
M9362AD01-CA2	IF Jumper Cables for use with 2-M9202A Dual CH Digitizers
M9362AD01-CA3	IF Jumper Cables for use with the M9210A
M9362AD01-CA4	LO Interconnect Kit for use with the M9302A

Ordering Information

Related Products

M9302A	PXI Local Oscillator: 3 GHz to 10 GHz
M9210A	PXI-H High-speed Digitizing Scope: 10-bit, 2-4 GS/s
M9018A	18-slot PXIe chassis
M9036A	PXIe Embedded Controller

Accessories

Software and product information on CD (included)

Keysight Modular Products

www.keysight.com/find/modular

www.keysight.com/find/m9362a-d01

USA: (800) 829-4444

PXIe® is a registered U.S. trademark and/or service mark of PXI Systems Alliance.

For more information on Keysight Technologies' products, applications or services, please contact your local Keysight office. The complete list is available at: www.keysight.com/find/contactus



This information is subject to change without notice.

© Keysight Technologies 2012-2014

Published in USA, August 2, 2014

5990-6575EN

www.keysight.com